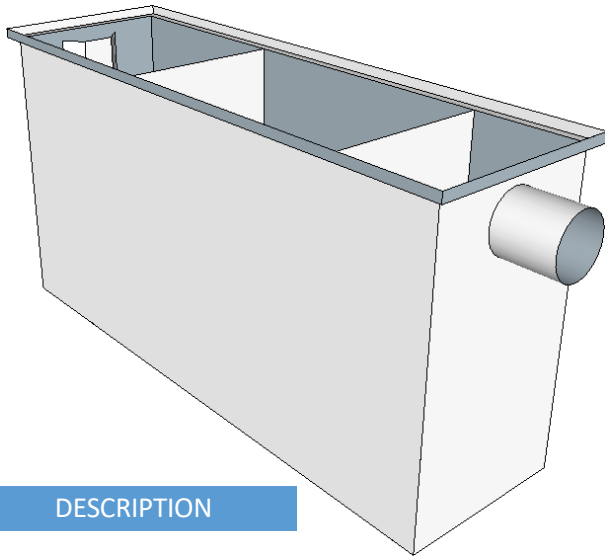




SUSTAINABLE ENVIRONMENTAL SOLUTION



PRODUCT CATEGORY

OIL SEPARATOR

PRODUCT NAME

HGT-300-OS

APPLICATION

WORKSHOP

CAPACITY

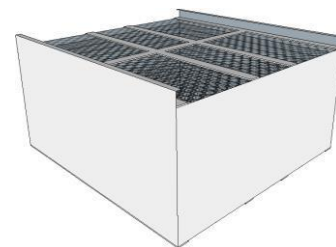
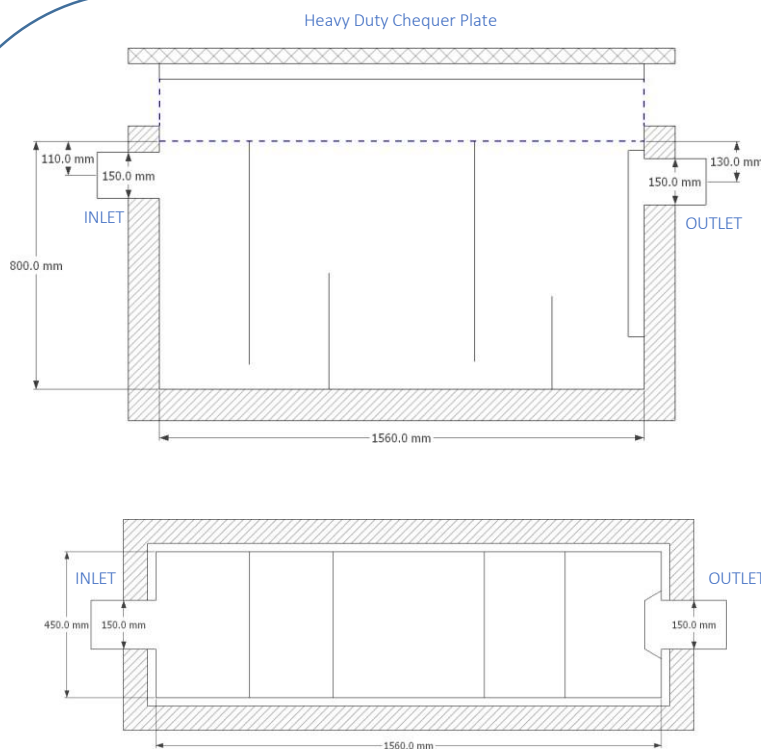
300 GPM or 560 LITRES

DESCRIPTION

HHC Oil Separators base separation system that utilize stable media to recover liquid hydrocarbons from oily water streams. Oil and water separate as they travel under laminar flow stream through highly efficient coalesce media providing a high separation area for effective coalescence. Without moving parts, low maintenance and small footprint guaranteed

APPLICATION

- Refueling Aprons
- Petroleum Storage Installations
- Petrol Stations
- Car & Vehicle Workshops
- Car Wash / Engine Wash
- Heavy Vehicle & Light Vehicle Wash Bays
- Mechanical / Engineering Workshops
- Industrial Equipment Wash-down
- Contaminated Storm-Water Treatment



Comes With
Enhanced Separation
Non-Clogging DISOPAK

SIZE: 1560MM (L) X 450MM (W) X 800MM (H)

TYPICAL DIMENSION